


WILL YOUR SOFA FIT?

Heart set on a Habitat sofa? Great taste! But, before you get carried away it's important to check your new love is compatible with your home. We're talking size - because it really is important when it comes to sofas.


TOP TIP - REMEMBER, IT'S THE PACKAGED DIMENSIONS OF YOUR SOFA THAT YOU NEED TO WRITE DOWN.

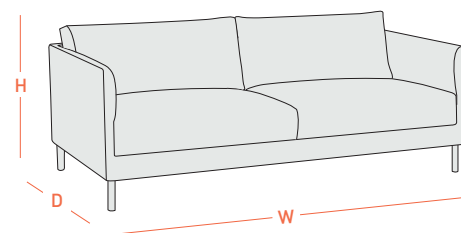
1 MEASURING YOUR SOFA

Our sofas will be delivered in their packaging to reduce the risk of damage. So, the first thing to do is to jot down the 'packaged' dimensions of your chosen sofa: **Height**, **Width** and **Depth**. You'll find these measurements on our website in the 'dimensions' section for your sofa.

H: W: D:

Buying a corner sofa? If so, your order will be delivered in more than one package. You'll just need to make sure each of the packages can fit into your home.

FIG.1



2 FITTING THROUGH THE FRONT DOOR

Plan A

Next up, you'll need to make sure your sofa will fit through the front door. Measure the width of your door frame (**A**) (FIG.2). If this measurement is greater than your sofa's packaged height (**H**) then your sofa will fit through just fine. Write down your measurements below.

If, however there is an obstruction behind your door and you cannot open it fully, open your door as wide as it will go and measure from the outer edge of the door to the inner edge of the door frame at its narrowest point (**B**) (FIG.3). If (**B**) is greater than your sofa's height (**H**), you can move on to section 3. If not, try Plan B instead.

A: B:

FIG.2

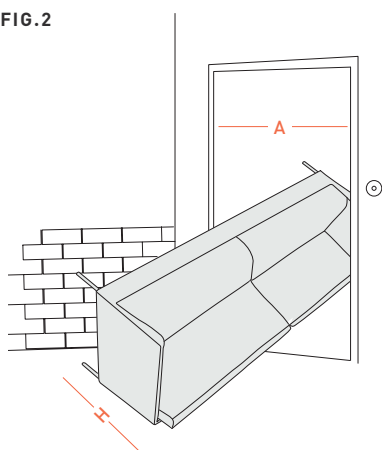
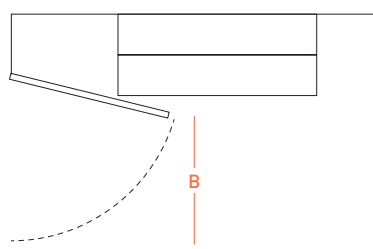


FIG.3

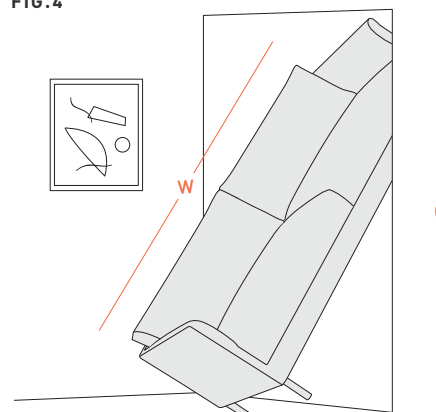


Plan B

If the width of your front door is too narrow, our delivery team will try to carry the sofa through upright. To check if this is possible, measure the height of your doorway (**C**) to make sure it's greater than the sofa's packaged width (**W**) (FIG.4). Remember to allow for some wiggle room. Jot down the height of your door frame here:

C:

FIG.4

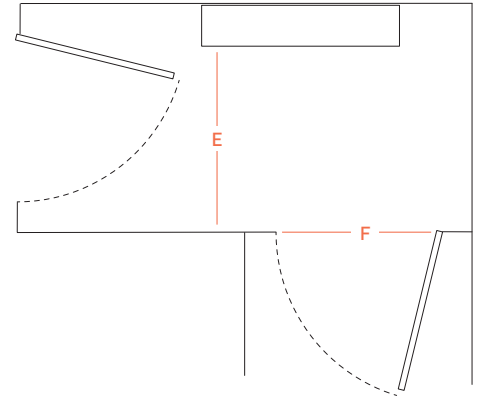


3 NAVIGATING HALLWAYS & INTERNAL DOORS

Measure the width of any areas the sofa must pass through - from hallways (E) to internal doors (F) (FIG.5). Don't forget to take note of any obstructions such as radiators. The packaged height (H) of your sofa needs to be smaller than these measurements.

E: F:

FIG.5



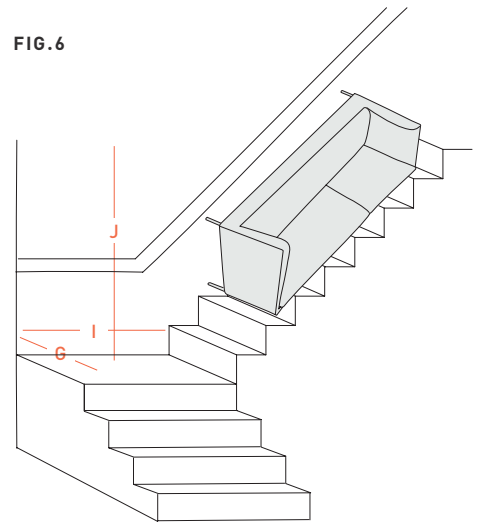
4 GETTING UP THE STAIRS

Measure the width of your stairs at their narrowest point (G) (FIG.6). If this is wider than the packaged height (H) of your sofa then it should fit. If there is a landing, measure its depth (G), width (I) and height (J). As long as these measurements are greater than the width (W), depth (D) and height (H) of your sofa, this should be fine.

Will we need to lift the sofa over a bannister? If so, make sure the distance between the bannister and the ceiling is greater than the packaged depth (D) of your sofa at the narrowest height.

G: I: J:

FIG.6

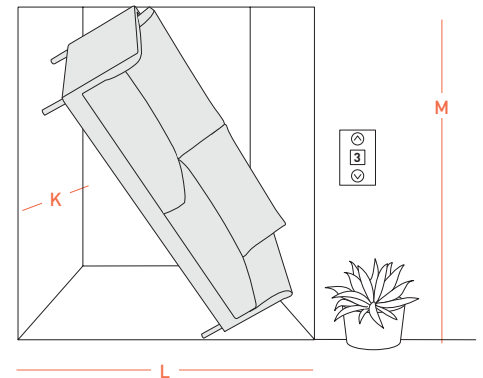


5 USING A LIFT

If your building has a lift, measure the open-door height (M), width (L) and depth (K) of the lift to make sure we can fit your sofa inside (FIG.7).

K: L: M:

FIG.7



6 GETTING INTO POSITION

To be sure that your new sofa will fit into your room, we suggest making a template from newspaper or using masking tape to mark out the amount of space it requires. Check that you have enough room to move around your sofa and to open doors and drawers once it's in place.



TOP TIP - IF YOU HAVE A SLOPING CEILING, DON'T FORGET TO ALSO MEASURE THE HEIGHT OF THE AREA WHERE YOUR SOFA WILL BE POSITIONED TO ENSURE IT CAN BE MANOEUVRED INTO PLACE.

7 DELIVERY DETAILS

All good to go? Great!
Check out your chosen sofa online for full delivery details or call our Customer Services team on **0344 499 4686** if you're unsure about anything at all.



**SOFA SOS
WE'RE HERE TO HELP.
CALL US ON
0344 499 4686**